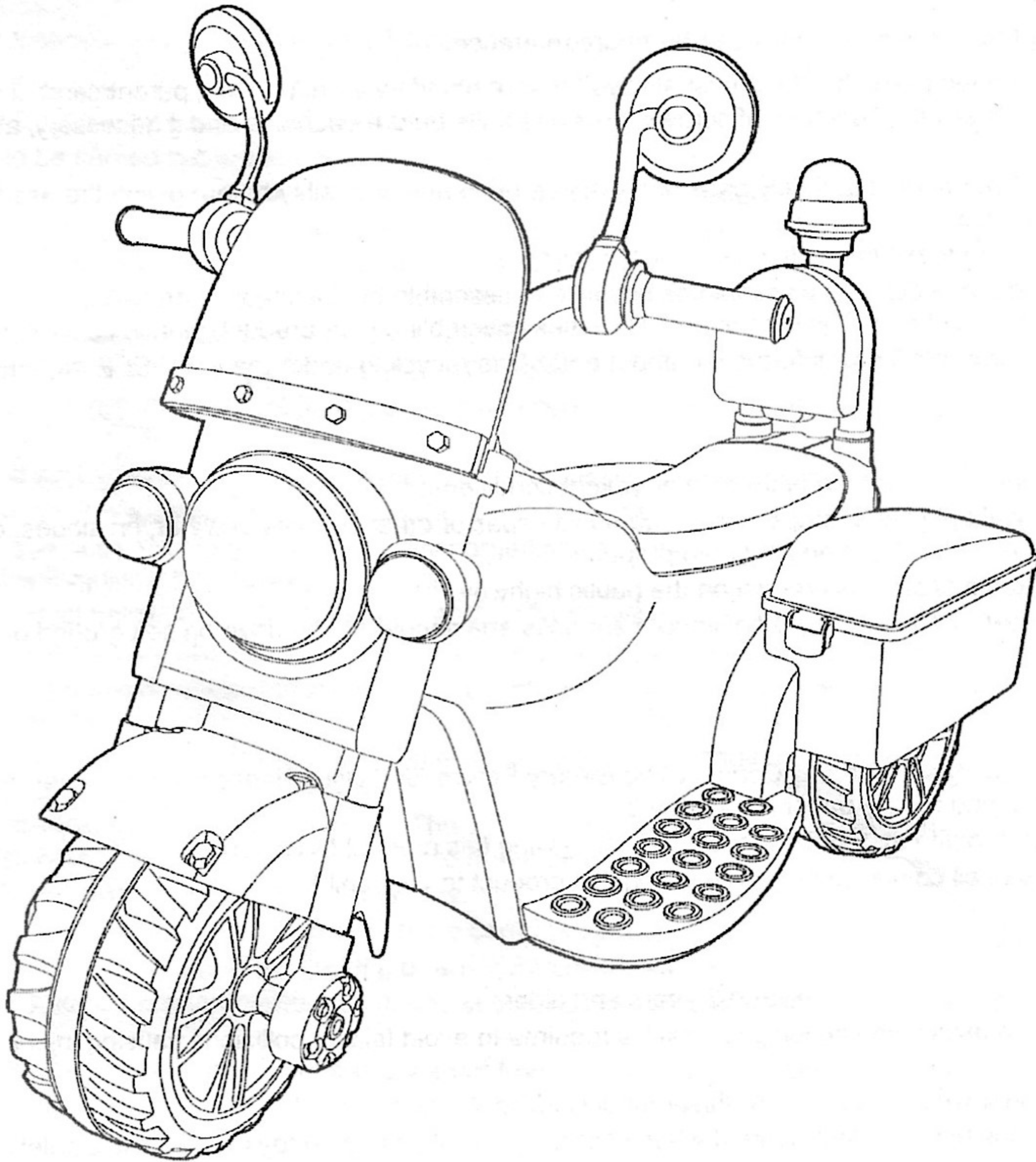



Battery Operated Trike



Important	Warning!	
Age: 2 years + Maximum user weight: 25kg	<ol style="list-style-type: none"> 1. Warning! Protective equipment should be worn 2. Not to be used in traffic 3. Adult assembly required 4. This toy has no brake 	

Important - Please read these instructions fully before assembly or use

These instructions contain important information which will help you get the best from your product and ensure safe and correct assembly, use and maintenance.

If you need help or have damaged or missing parts, call the Customer Helpline: 01253775570

Please read the instructions fully before use.
 Failure to do so may result in damage to the vehicle or harm to the user.
 Please keep this handbook for future reference.



Designed & Manufactured by HTI Toys, Copse Road, Fleetwood, FY7 7NY - UK
 Please retain these details for future reference. Made in China

● Safety Information

Assembly & User Instructions - Please keep for future reference

General safety

Assembly & User Instructions - Please keep for future reference

- Where products need assembly they must always be assembled by an adult. As a parent/carer, it is also your responsibility to check the tightness of screws, nuts and bolts before each use and if necessary, adjust and re-tighten.
- Remove protective material and poly bags and dispose of them responsibly before giving the assembled product to your child.
- Remember to retain these instructions for future reference.
- We have tried to make our toys as simple as possible to assemble but inevitably there will be one or two slightly more complex tasks. If you have any difficulties assembling your product, please contact us for advice.
- Please contact your retailer for information about end-of-life recycling under the EU WEEE regulations.

Positioning

- Do not allow your child to ride at night or in poor light conditions.
- Do not let your child play near steps, swimming pools / spas or other sources of water, on slopes, on streets or around cars, even if parked on your own property.
- It is prohibited to drive/use this product on the public highway.
- This product is designed to be used on smooth surfaces and should not be used on soft ground or in the rain or snow.

Before use

- Very Important. You Must Charge & Connect The Battery Before First Use. Please refer to "assembly instruction" on page 7 & "charging the 6V battery" on page 8.
- Dispose of all packaging material responsibly before giving this product to your child.
- Check tightness of all components before giving this product to your child.

During use

- This product is only suitable for children 2 years and older.
- The toy should be used with caution since skill is required to avoid falls or collisions causing injury to the user or third parties.
- The maximum rider weight capacity for this product is 25Kg do not overload.
- Adult supervision is highly recommended when children play with wheeled toys. Your child's safety is your concern.
- Do not allow the child to ride with bare feet or without suitable footwear.
- Ensure the child keeps clothing, hands, hair, fingers and feet away from moving parts.
- The use of protective gear including approved helmets, gloves and pad is recommended.
- Store this product at room temperature; do not leave it outside or uncared for.
- Never let any child play with the battery or charger at any time, or let them charge the product.
- Do not use if product is faulty or damaged.
- Do not tamper with the battery or electrical parts inside the product.

● Assembly Steps

Assembly & User Instructions - Please keep for future reference

Charging the 6v battery

Assembly & User Instructions - Please keep for future reference

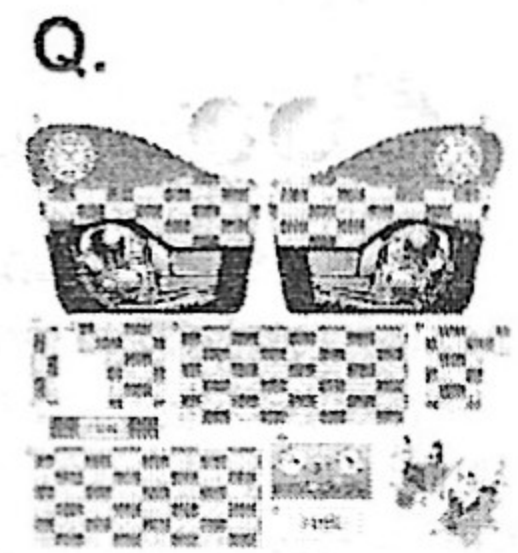
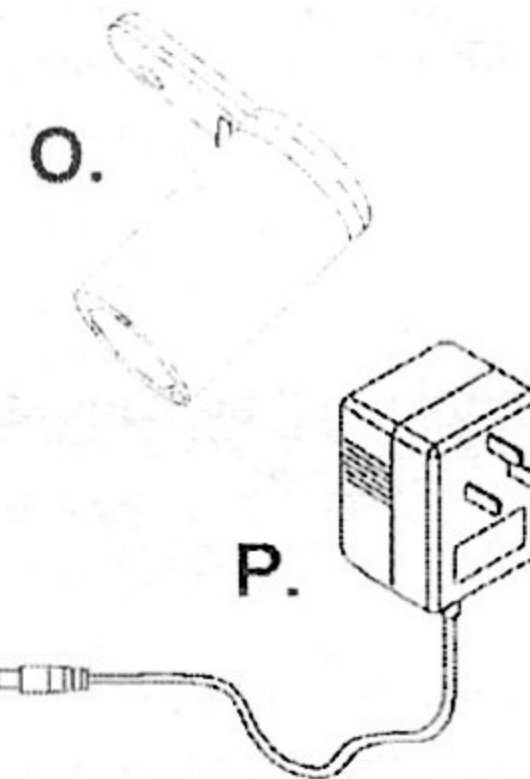
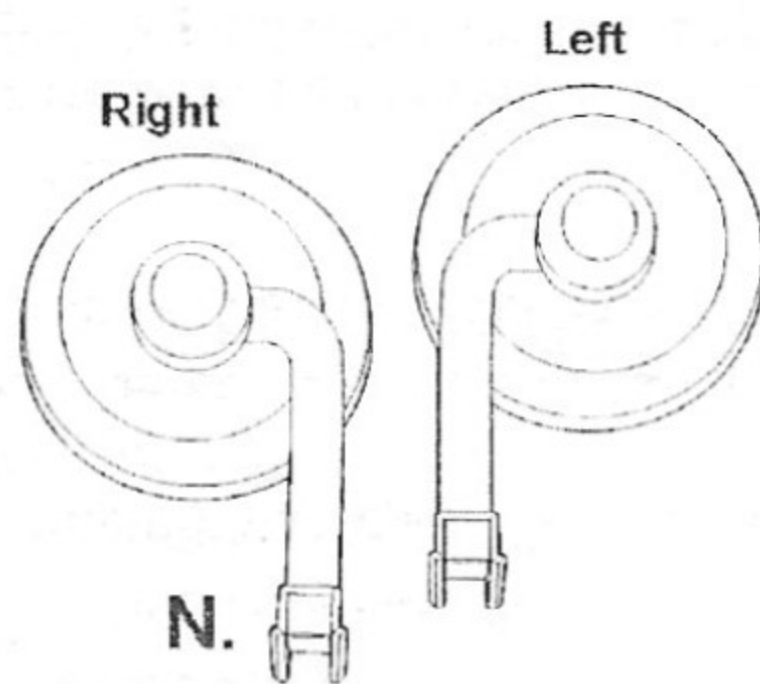
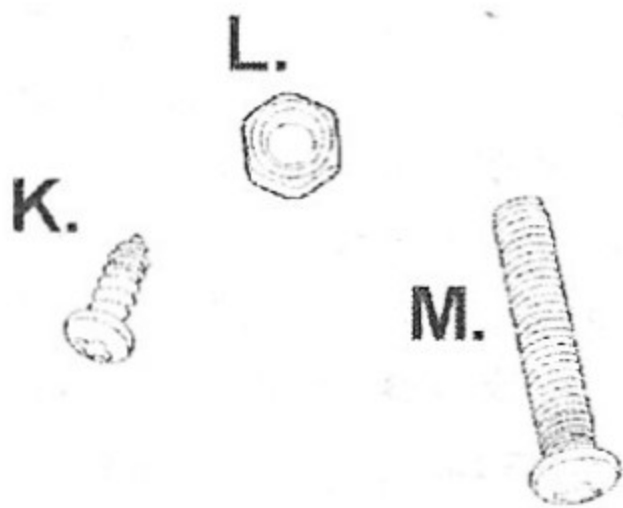
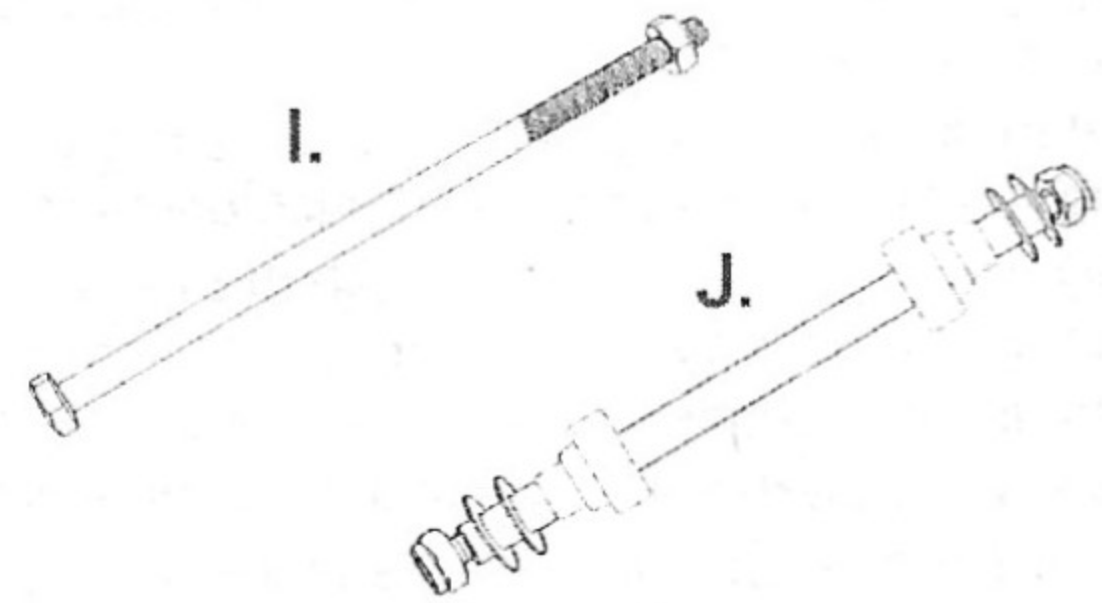
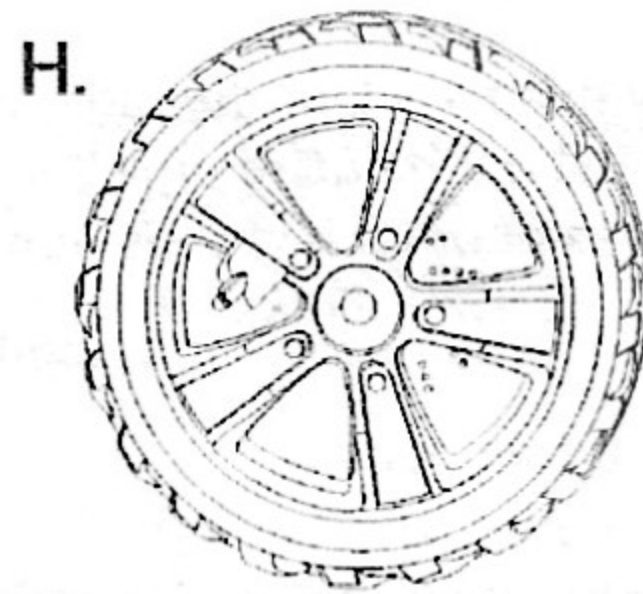
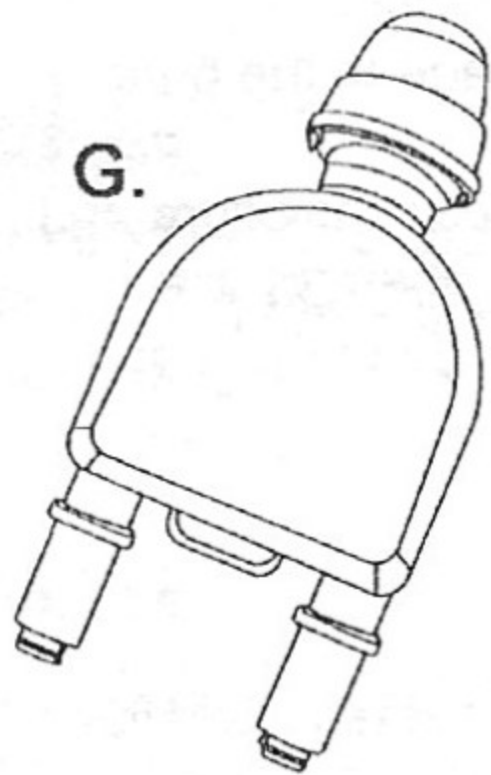
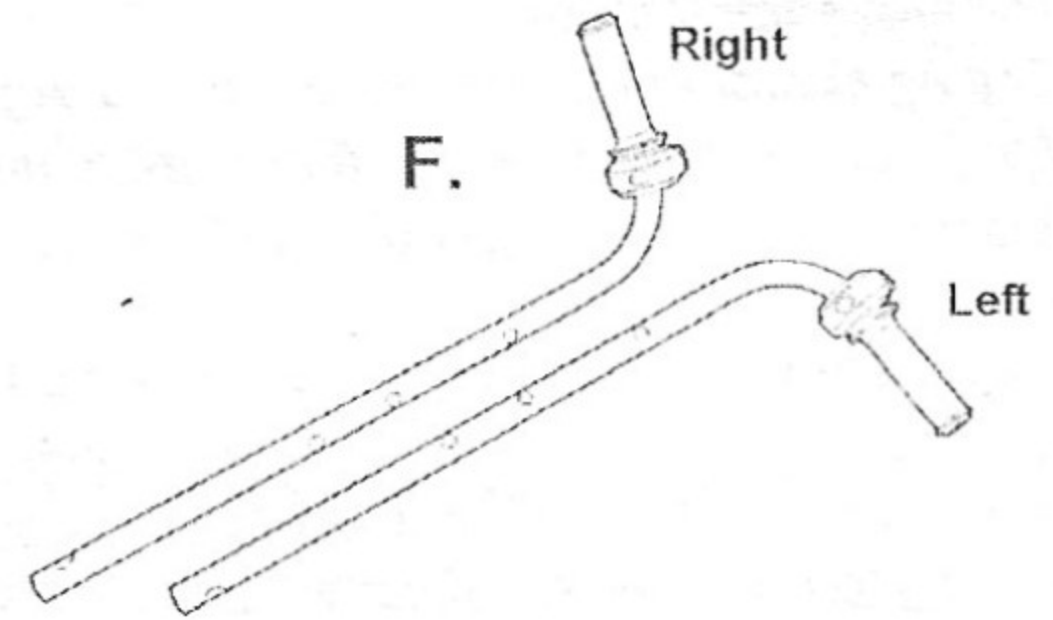
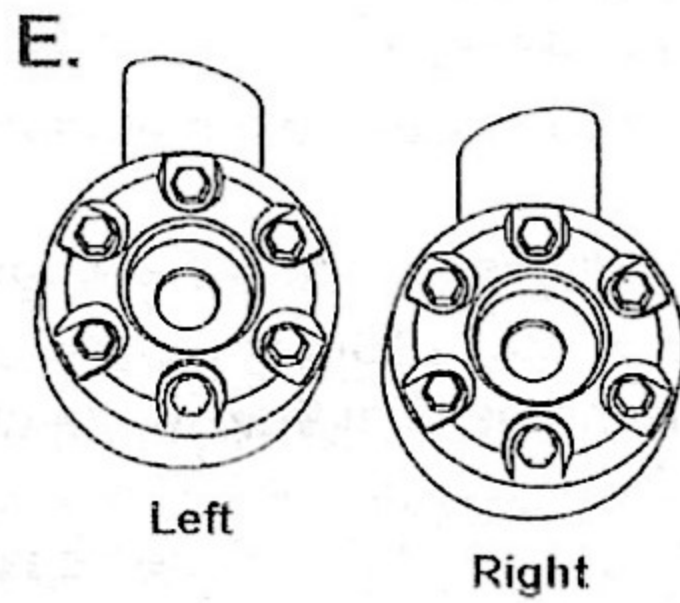
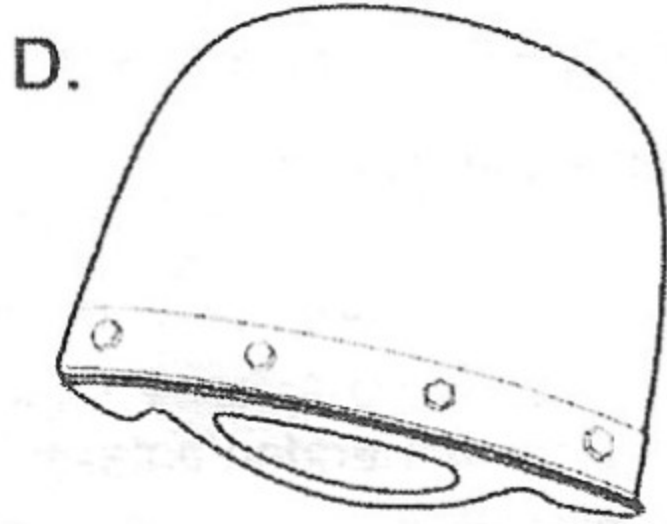
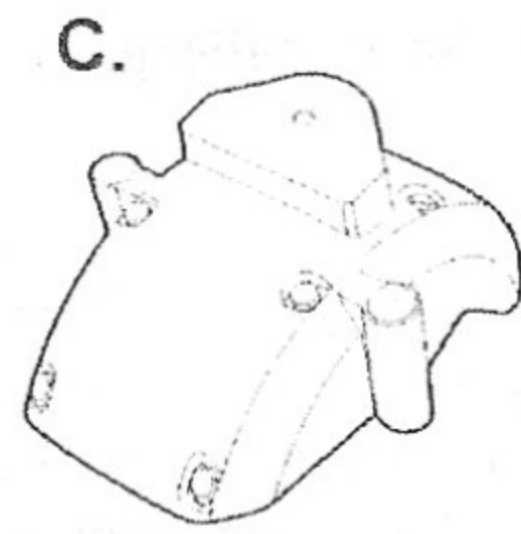
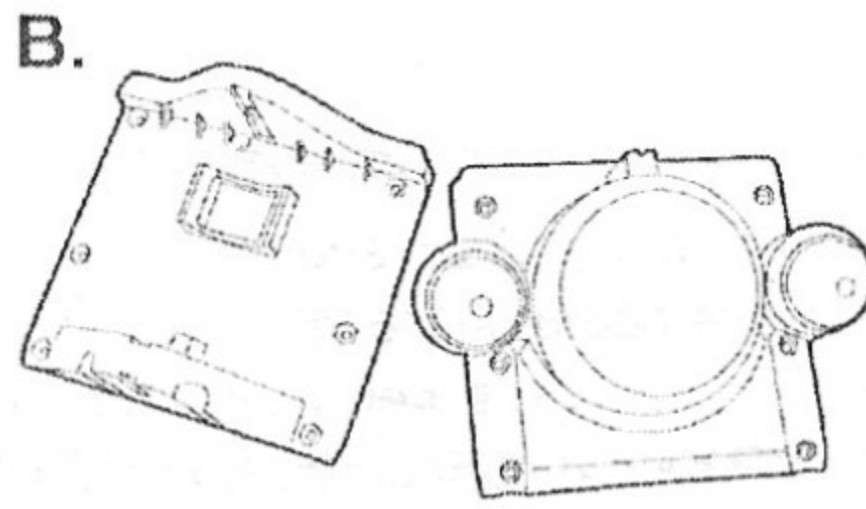
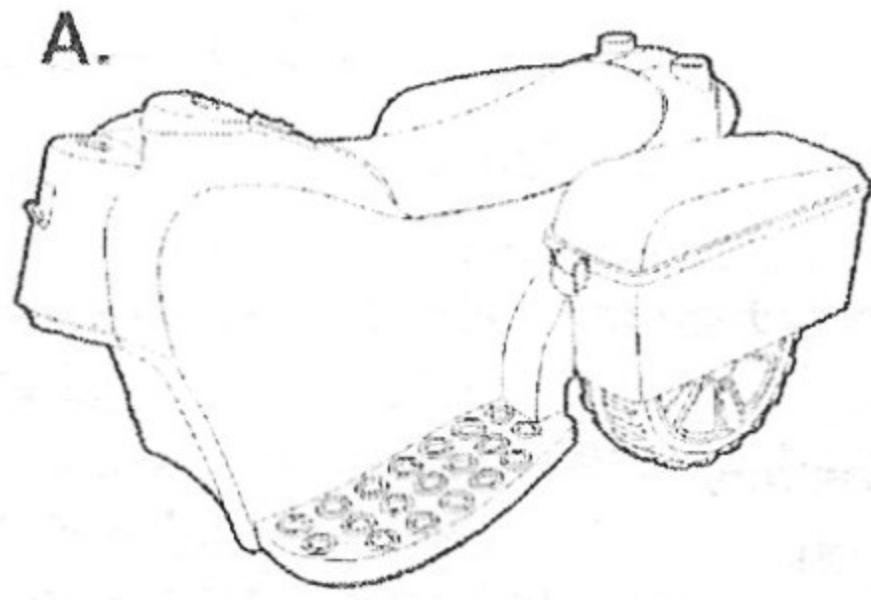
- All charging and re-charging must be carried out by an adult.
- Do not attempt to use the product while it is being charged.
- Charging should be carried out under cover and in a well-ventilated area.
- Always ensure the charger is switched off before connecting it to the product/battery.
- Always ensure the charger is plugged into a wall outlet, Do not use an extension.
- Do not charge near sources of potential sparks, fires or flames or where flammable gases, liquids and materials are stored.
- During charging the battery and the charger may get hot.
- Only charge the battery for a maximum time of 8 - 10 hours.
- Do not leave the charger plugged into an outlet or connected to the product/battery once charging is completed.
- Never attempt to recharge a fully charged or partially used battery for an extra boost.
- Do not over-charge; this action will significantly shorten battery life.
- Always ensure that once the battery becomes discharged/flat that you re-charge for the recommended time. Failing to do so will significantly shorten battery life.
- Charging the product below 4°C (40°F) or above 40°C (104°F) will decrease the battery life significantly.
- V.R.L.A. batteries are heavy and contain lead & acid. They are dangerous if improperly handled.
- Only use the charger supplied with the product. The use of other chargers may cause damage to the battery and/or cause explosion.
- Battery chargers used with the toy are to be regularly examined for damage to the cord, plug, enclosure and other parts, and in the event of such damage, they must not be used until the damage has been repaired.
- Only use the battery supplied with this product. The use of other batteries may cause damage to the motor, charger and subsequent wiring, which could lead to fire and/or explosion.
- Exhausted batteries are to be removed from the toy.
- Always ensure that you connect the battery with the correct polarity.
- Never short-circuit the terminals of the battery, or any subsequent wiring.
- Never bypass or bridge a broken/blown fuse or circuit breaker and always replace with the same type/value and model.
- Do not replace the battery with any other battery apart from one purchased through the customer helpline (01253775570) or a recommended service centre.

Batteries for Light Pole

- All battery insertion/replacement must be carried out by an adult.
- Be sure to install batteries as instructed.
- Never mix alkaline, standard (zinc-carbon) or rechargeable (nickel cadmium) batteries or mix old and new batteries.
- Do not recharge non-rechargeable batteries.
- Ensure the contact surfaces are clean before installing batteries.
- Remove batteries before storage or when exhausted.
- Rechargeable batteries are to be removed from the toy before being charged.

● Parts List

Please check you have all the parts and fittings listed below



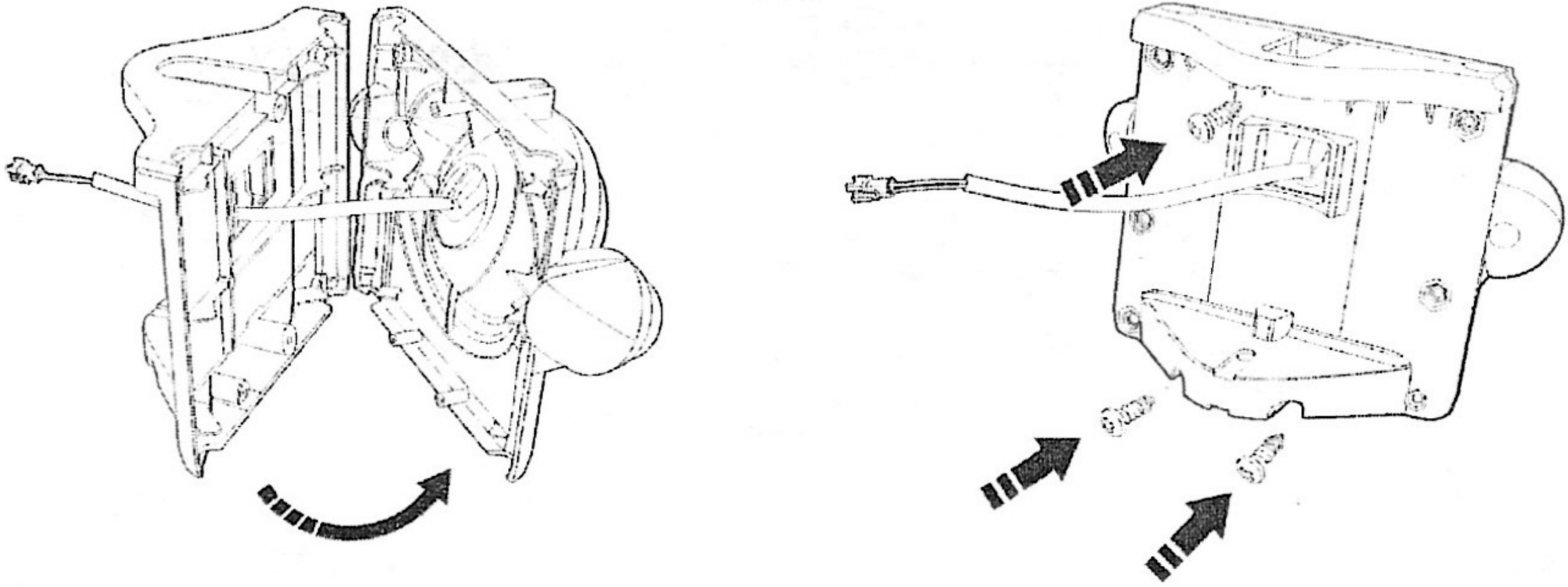
- A. Bike Body
- B. Front Fairing
- C. Mud Guard
- D. Windscreen
- E. Wheel Decor
- F. Front Fork
- G. Back Rest & Light Pole
- H. Front Wheel
- I. Bolt

- J. Front Axle
- K. 4 x 12 Screw (4pcs)
- L. M5 Nut (6pcs)
- M. 5 x 28 Bolt (6pcs)
- N. Rear View Mirror
- O. Spanner (2pcs)
- P. Charger
- Q. Decal
- R. Instruction Manual

● Assembly Instructions

Step 1

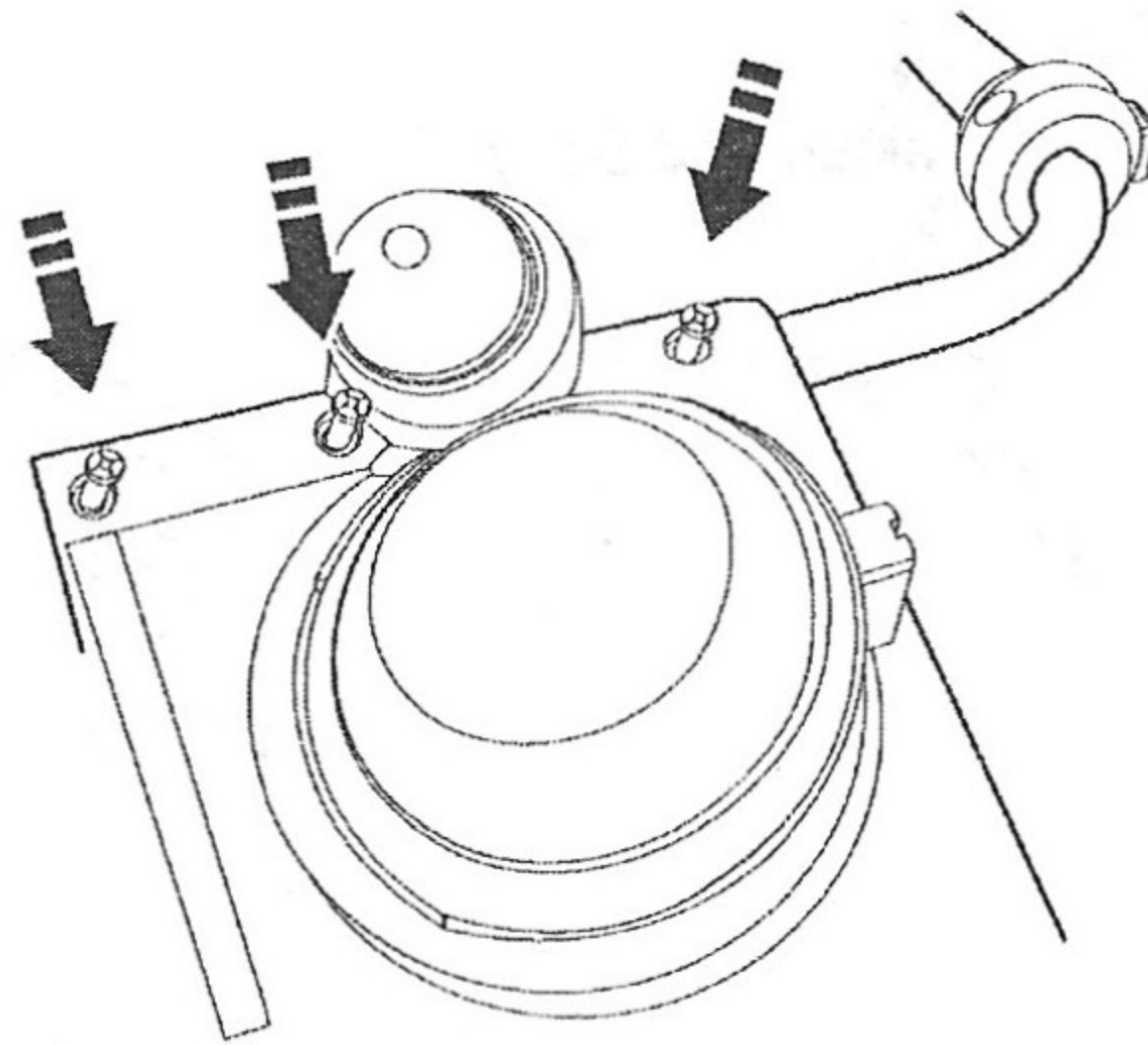
Close Front and Back Front Fairing (B).
Put the cable through the hole and fix with 3pcs 4 x 12 screws (K)



Step 2

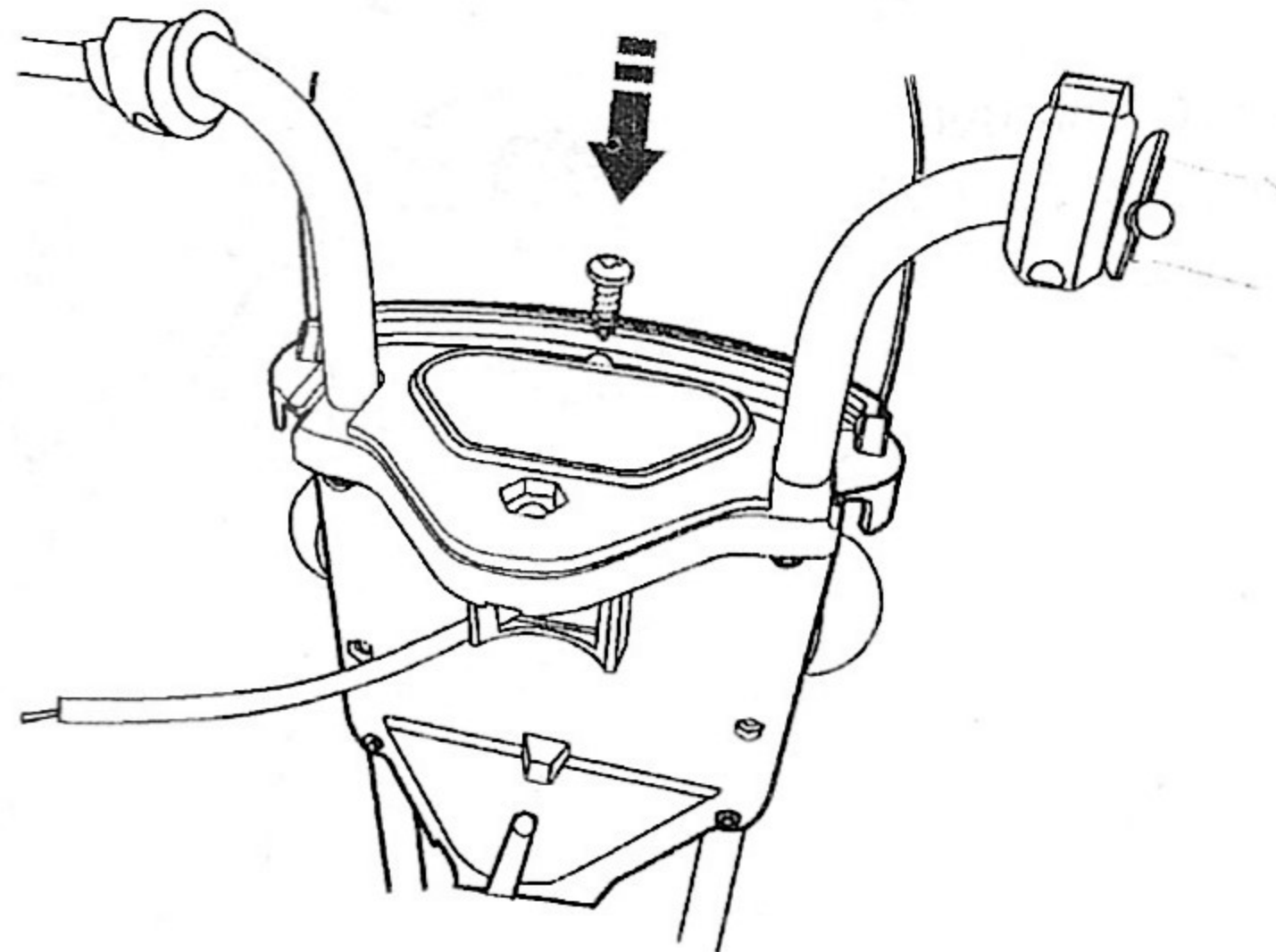
Insert Front Fork (F)
into Front Fairing.
Fix with 6pcs of
5 x 28 Bolt (M) and
M5 Nuts (L).

Follow Left / Right
Symbol on Front Fork.



Step 3

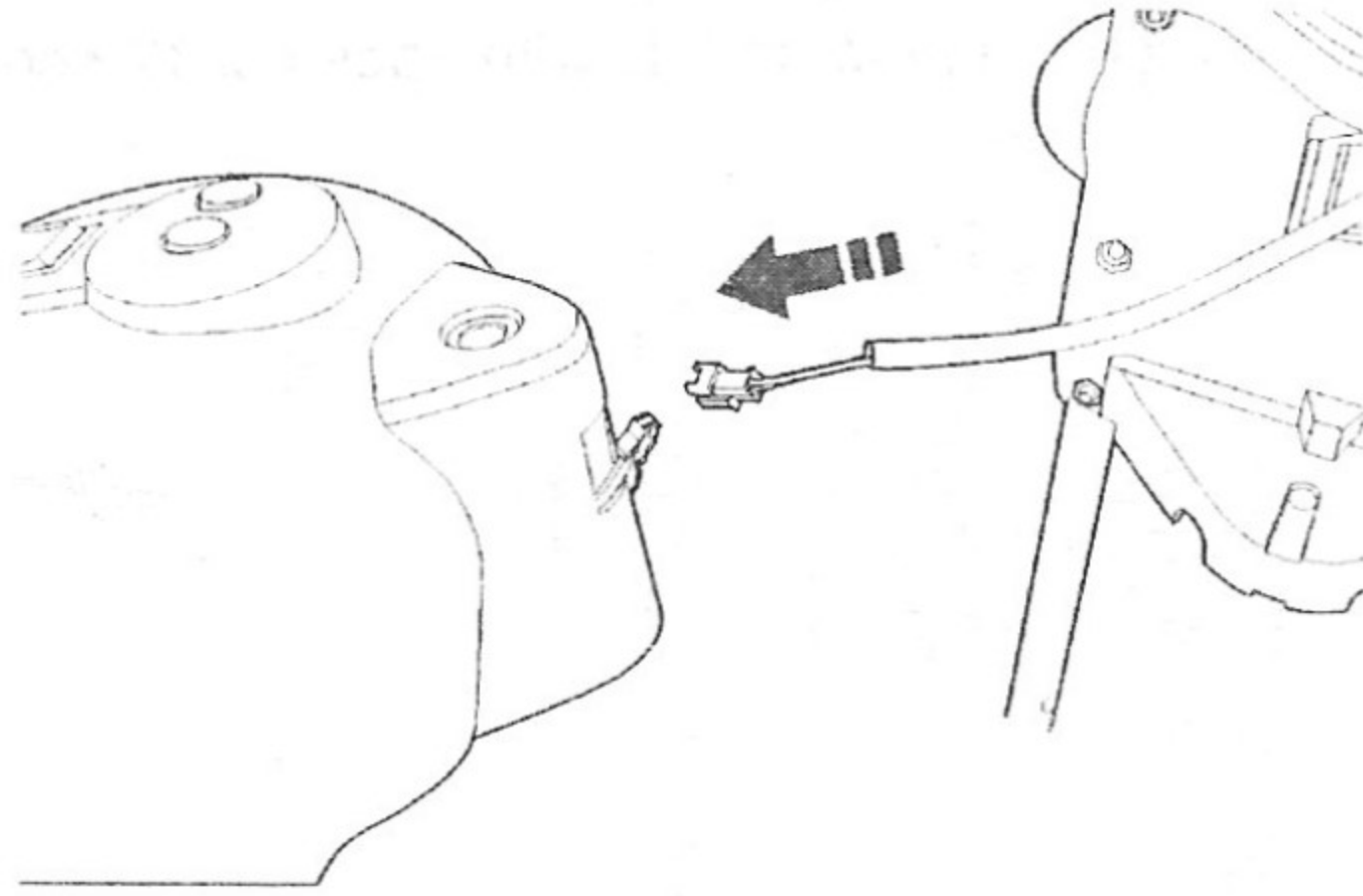
Put the Windscreen (D)
onto Front Fairing and
fix with 1pc 4 x 12 screw (K).



● Assembly Instructions

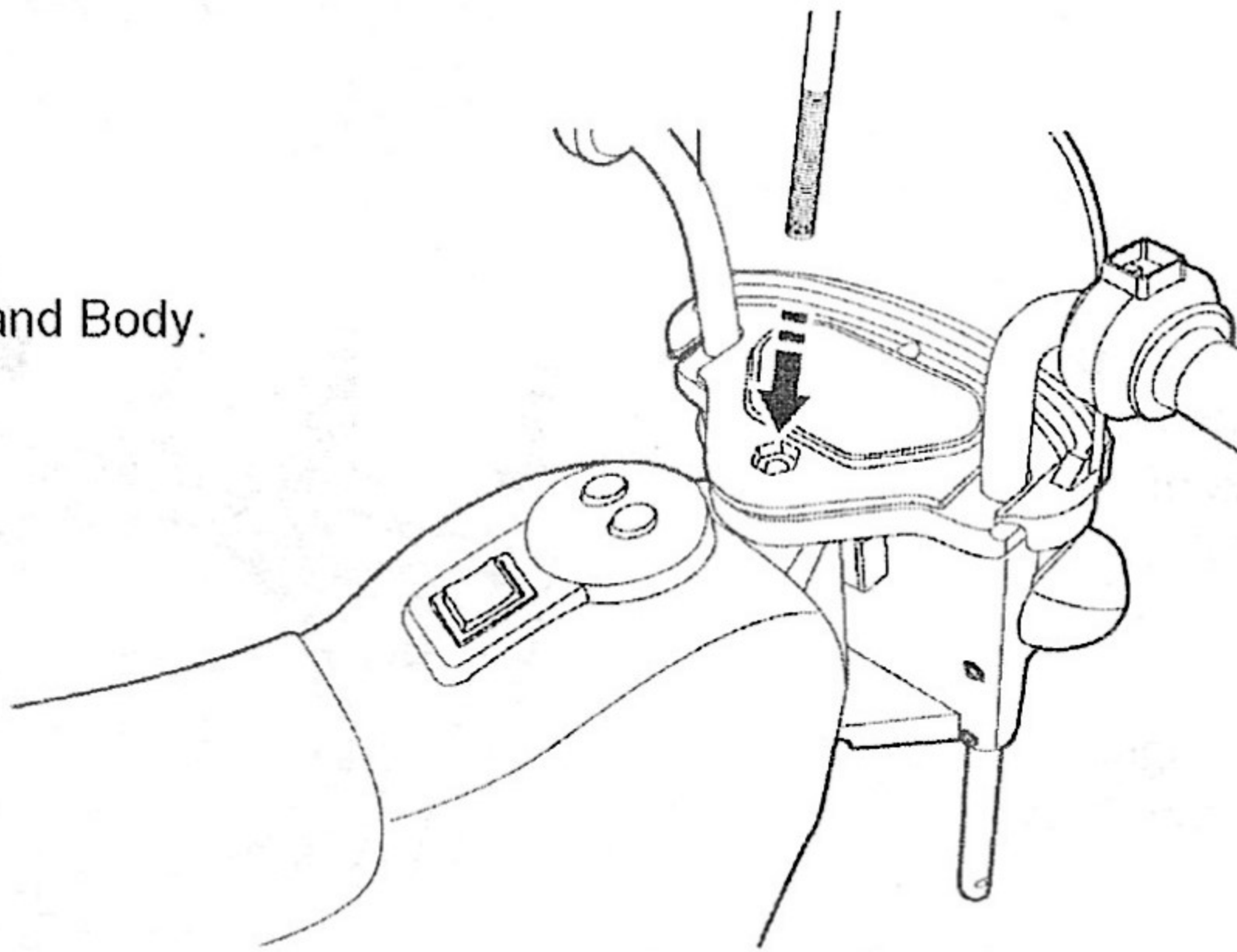
Step 4

Connect the wire of Front Fairing and Bike Body (A).



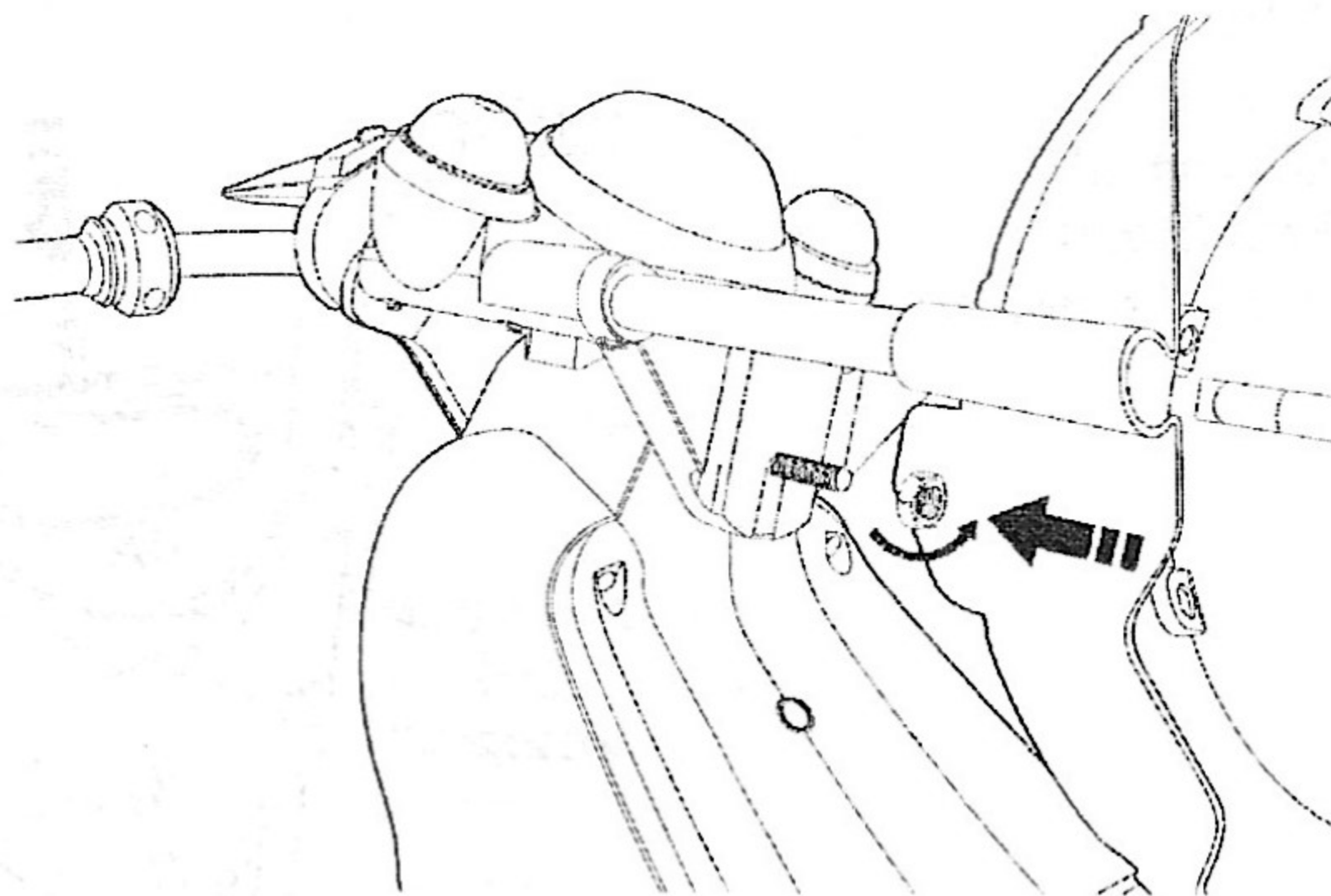
Step 5

Remove the nut of the bolt (I).
Put the bolt through Front Fairing and Body.



Step 6

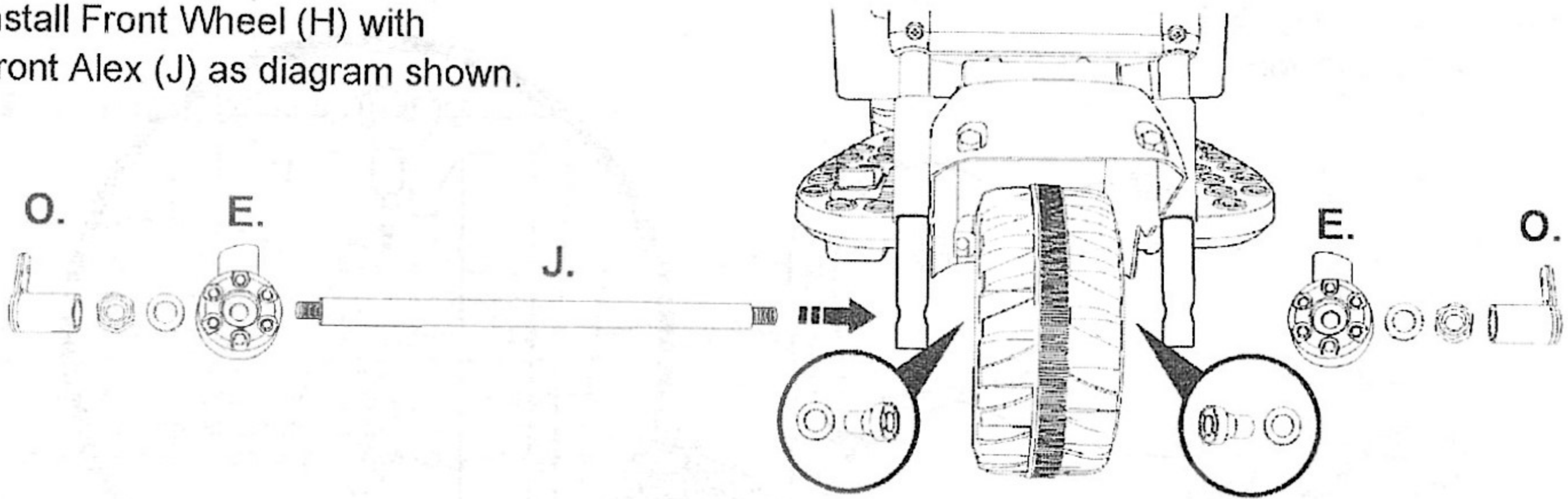
Put Mud Guard (C) through the leg of Front Fork and bolt.
Fix with nut (L).



● Assembly Instructions

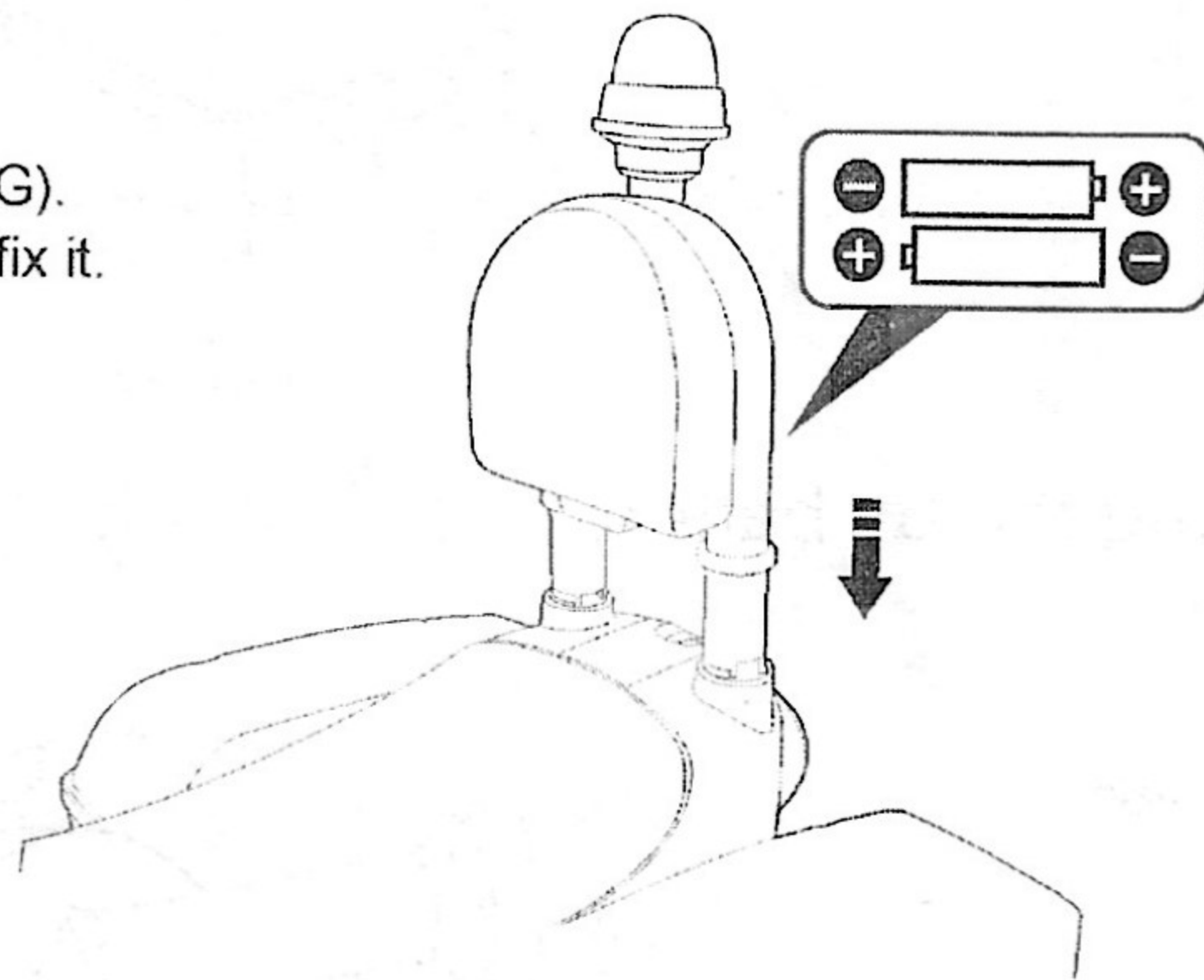
Step 7

Install Front Wheel (H) with Front Alex (J) as diagram shown.



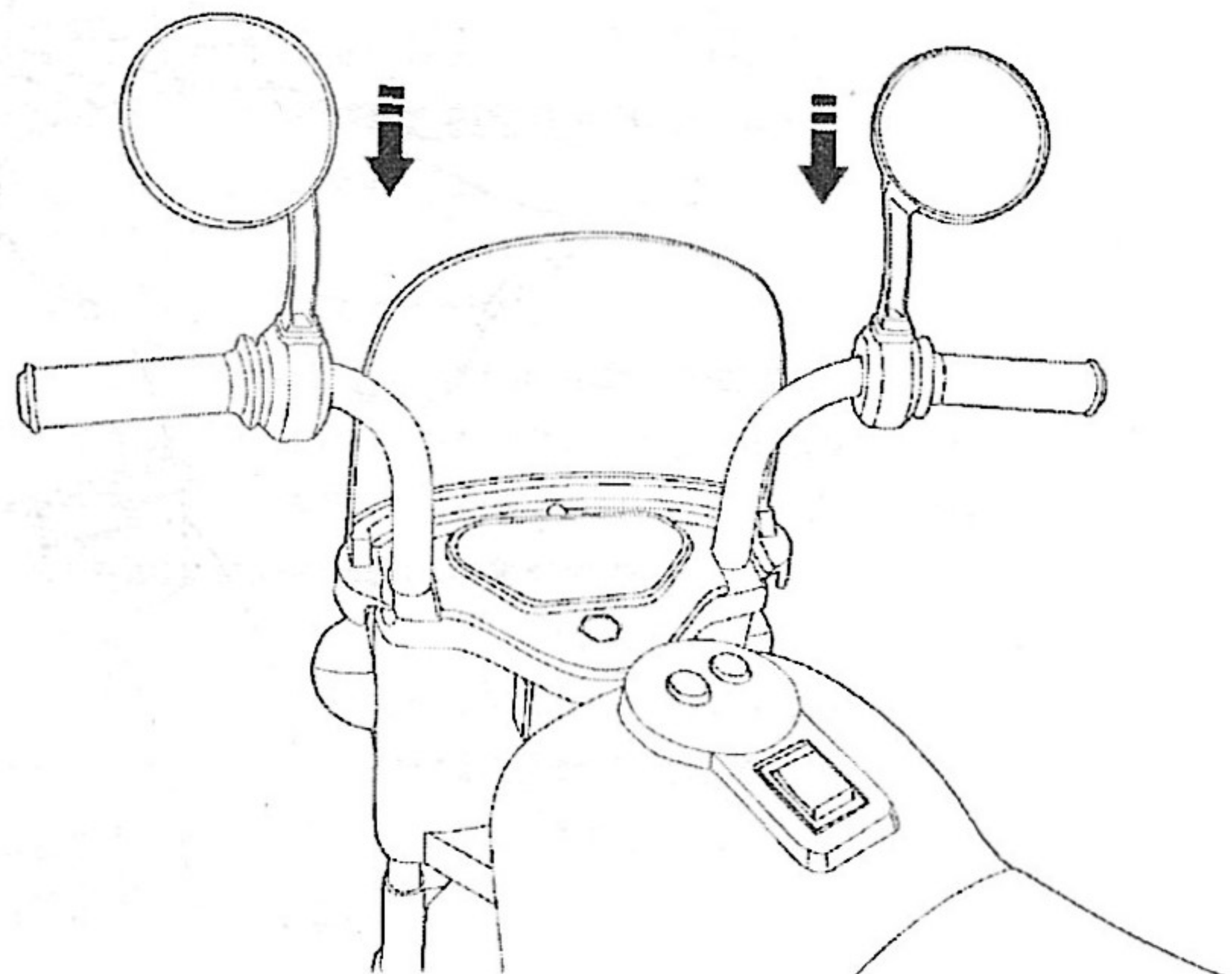
Step 8

Insert 2 x AA batteries into Light Pole (G).
Insert Back Rest (G) into Bike Body to fix it.



Step 9

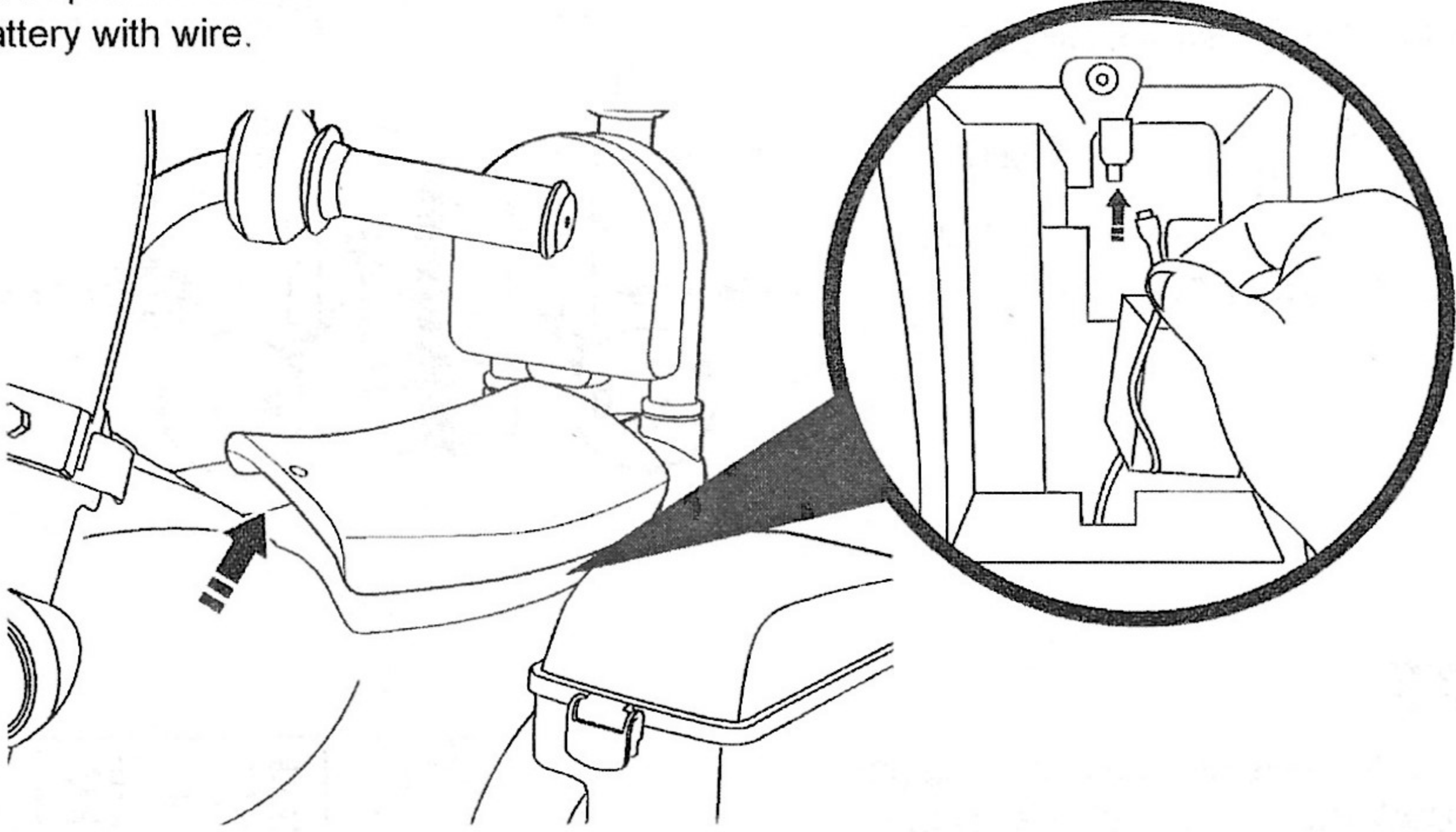
Insert Rear View Mirror (N)
into the handle.



● Assembly Instructions

Step 10

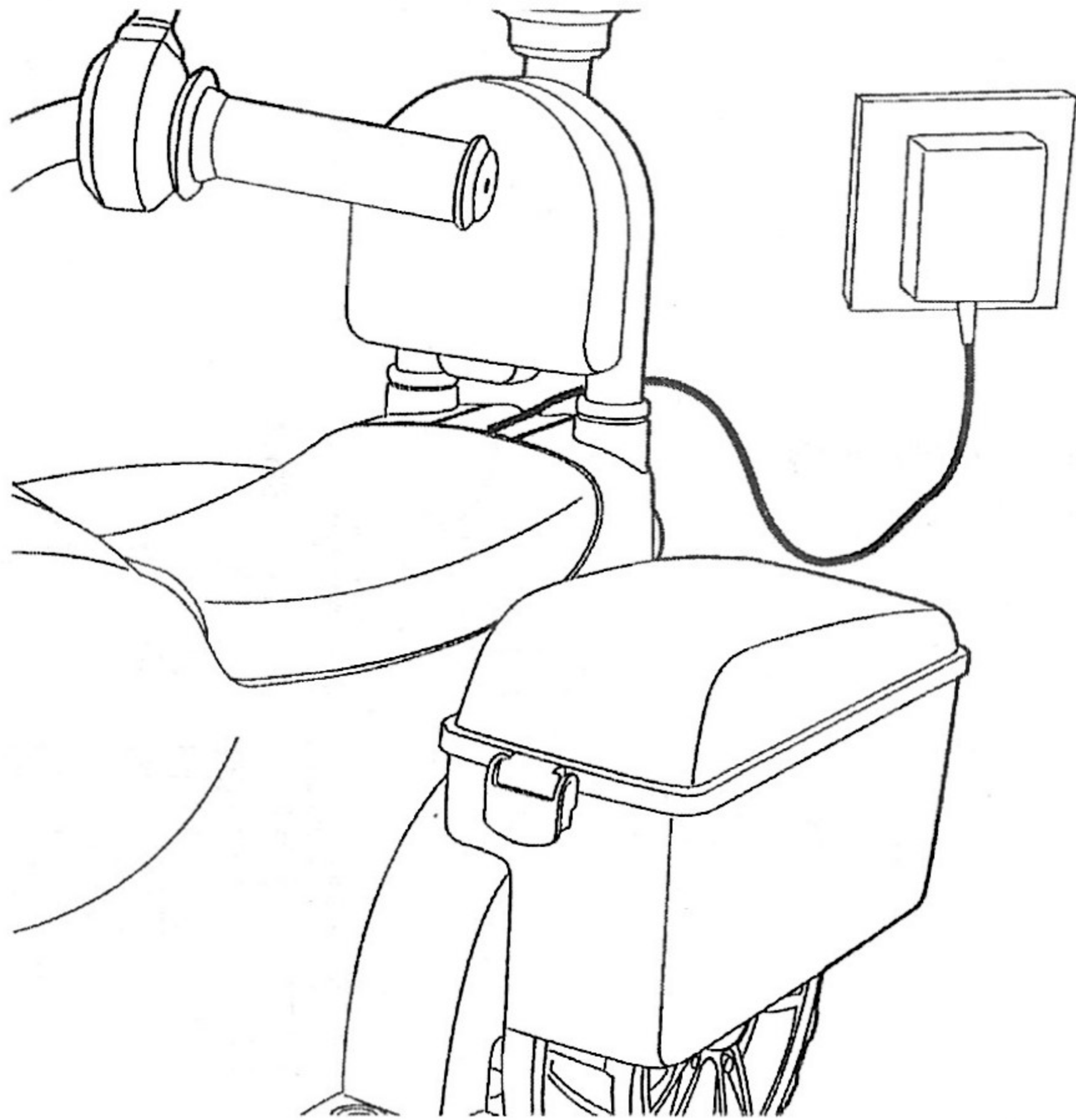
Unscrew and open the seat.
Connect battery with wire.



● Charging the 6v battery

Step 11

Connect to charge.



Finally

Finally check tightness of all components and dispose of all packaging material responsibly before giving this product to your child. You will need to charge the bike before you use it for the first time please refer to page 9

User Instructions

Forward & Backward

To operate the bike, select a gear from the gear selection switch, there are 3 settings- Forward, neutral/off and reverse.

Once you have selected a gear, depressing the pedal will engage the motor and move the bike in the direction you selected.

If you require to change direction - you must always release the pedal and come to a complete stop before selecting a new gear. Failing to do so will result in damage to the gear selection switch and/or the motor and gear box.

Steering

The handle bars can be used to steer the bike left or right, when in forward motion.

Please note that when the bike is being used in reverse, the controls will also be reversed and some coordination by the driver may be required to keep the bike under control.

Sounds

The sound effects can be operated by the buttons shown above and is independent of any lights from the rear siren light on the light pole.

Lights

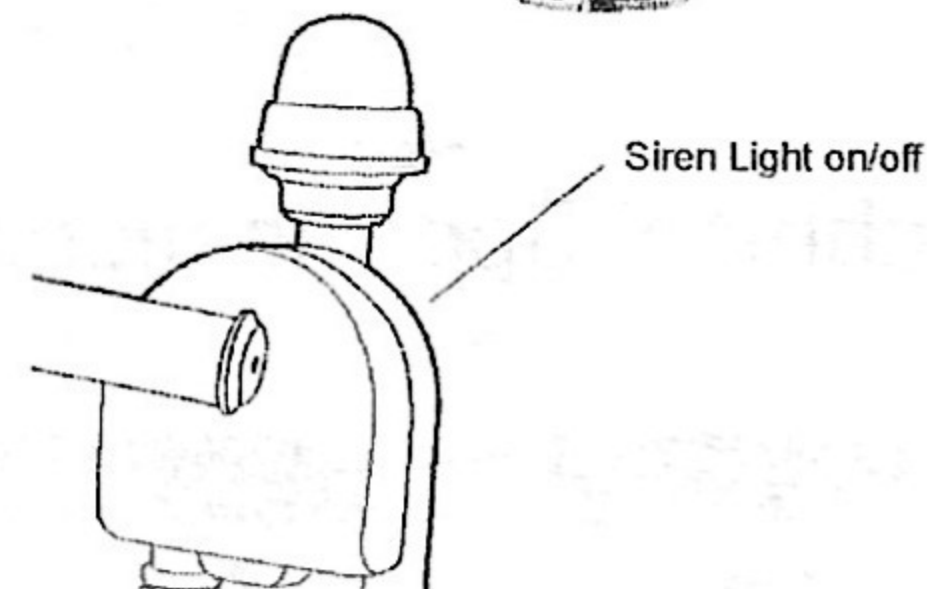
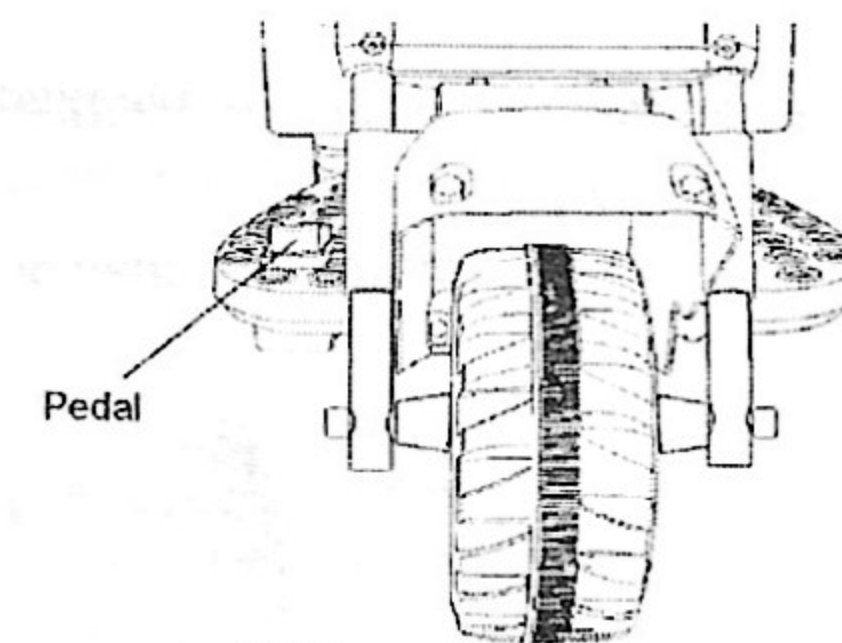
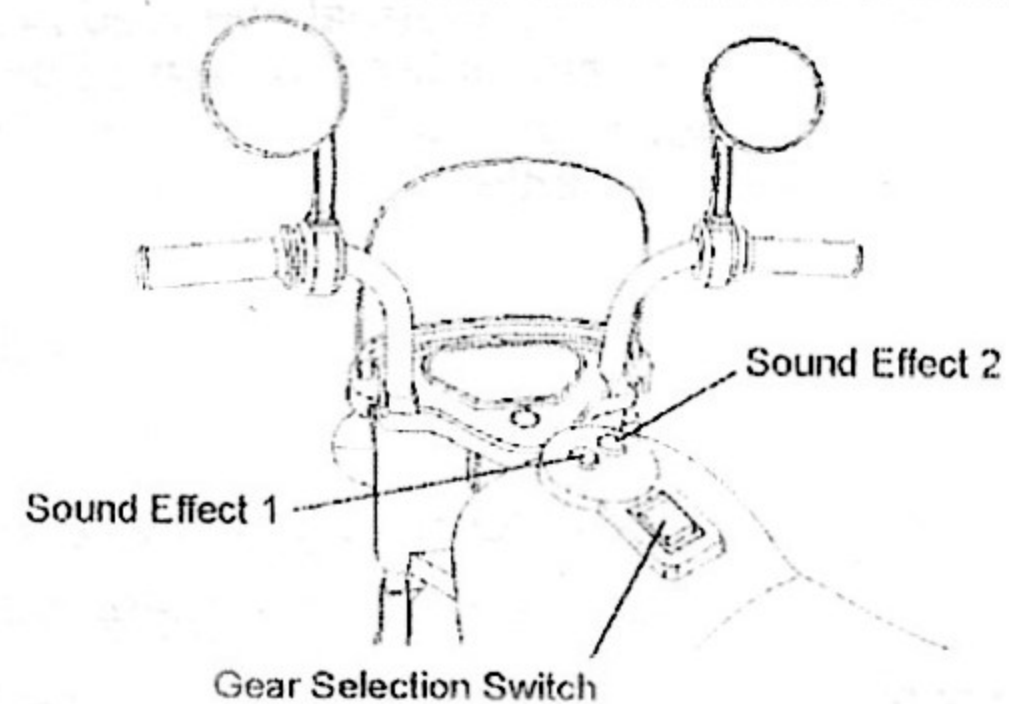
The only working lights are the headlight & the rear siren light on the light pole.

The headlight will only work when the bike is being driven in the forward direction and is automatic.

The rear siren light on the light pole is operated by the button shown above.

After Use

When you have finished using the product set the power switch to the neutral / off position.



Non-rechargeable batteries are not to be recharged.

- Different types of batteries or new and used batteries are not to be mixed.
 - Batteries are to be inserted with the correct polarity.
 - Exhausted batteries are to be removed from the toy.
 - The supply terminals are not to be short-circuited.
 - Rechargeable batteries are only to be charged under adult supervision.
 - Rechargeable batteries are to be removed from the toy before being charged.
 - Only batteries of the same or equivalent type as recommended are to be used.
- Do not dispose of batteries in fire; batteries may leak or explode
Batteries should be replaced by an adult
- The transformers or battery charger used with the toy are to be regularly examined for damage to the cord, plug, enclosure and other parts, and in the event of such damage, they must not be used until that damage has been repaired.

● Table/Trouble Shooting

Problem	Cause	Solution
Suddenly stopped moving	The thermal overload protection circuit breaker may have tripped	Turn off the power switch and leave it switched off for at least 5 minutes
Will not move	The thermal overload protection circuit breaker may have tripped	Disconnect the battery leave for 5 minutes, and then reconnect the battery.
Will not move	Battery not charged	Make sure the battery is fully charged; please refer to the battery charging section
Will not move	Wiring / Motor not working or damaged	Battery, wiring, and/or motor may be faulty please contact manufacturer
Moves Slowly	Battery not charged	Make sure the battery is fully charged; please refer to the battery charging section.
Moves Slowly	Motor not working correctly or damaged	Battery or motor may be faulty please contact
Battery not Charging	Charger not plugged in correctly	Make sure the charger is plugged in and mains socket switched on
Battery not Charging	Connections may be loose	Examine the wiring, plugs, connections, battery terminals and make sure everything is connected properly.
Battery not Charging	Wiring damaged or battery requires replacing	Charger and/or wiring is faulty please contact manufacturer

● Technical Specifications

Model	6v Bike
Recommended	Ages 2 Years +
Rider Weight Limit	25kg
Power	Rechargeable battery
Battery Type	6v Valve regulated lead acid battery (VRLA)
Battery Output	DC 6v @ 4 Ah
Battery Capability	Approx 1 hour run time
Battery Charge Time	Max 8 - 10 hours
Battery Life	Max 300 charges
Charger Requirement	240v @ 50 Hz
Charger Output	6v DC 500mA (under load)
Maximum Speed	2.5 - 3 km/hr

● Care and Maintenance

General

If the product is being stored for long periods of time ensure that the battery is fully charged prior to storage, this will help prolong the life of the battery.

The product can be cleaned with a water dampened cloth; do not use abrasive cleaners or creams or any alcohol-based cleaners

Store under cover out of direct sunlight and away from sources of heat. Only charge the battery for a maximum time of 8 - 10 hours.

Please note the charger supplied is a simple charger which means it will not cut-out when the bike is fully charged, you will have to take note of time passed in order to complete the charge cycle.

Inspect regularly for

Periodically inspect the bike, including wheels, for wear and damage or loose parts. If any evidence of wear or damage do not use, contact the helpline 01253775570 for replacement parts or advice.

Moving the Bike

Care should be taken when moving the bike. Do Not Lift using rear tool box / carrier.
Do not attempt to push the bike at any time it is designed to only move under it's own power

Trouble shooting

Should your child's electric vehicle fail to operate after some time in service we recommend the following:

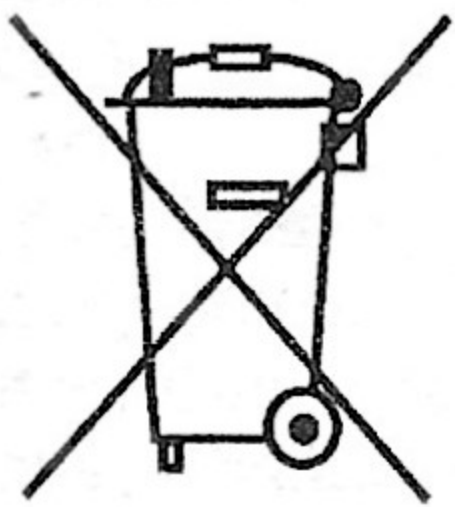
- **Check the connectors. Are they still joined?**

If the battery connector, or one of the loom connectors, has not been securely clipped together, then the vehicle's electric circuit may be "Open" i.e. the power is not reaching the On/Off switch, the accelerator pedal/button and hence the motor. Check the connectors.

- **Has the electric motor or the electrics got wet?**

Water can harm and damage the motor and electrics. If you suspect there has been ingress of water, leave the vehicle in a warm room for 24 hours to dry out. If a hairdryer is available, warm air (not hot) can be blown on to the motor and electrics to aid in the drying process.

Disposal and Recycling



Electrical product waste should not be discarded with household waste. Please actively support us in conserving resources and protecting the environment by returning the non-working electrical products to an appropriate disposable/recycling centre (if available).

IMPORTANT

please contact our helpline on customer service number 01253775570, if any enquires. Save all packaging material until assembly is completed.